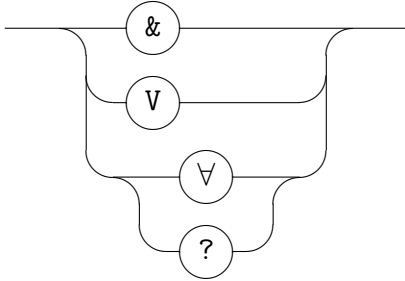
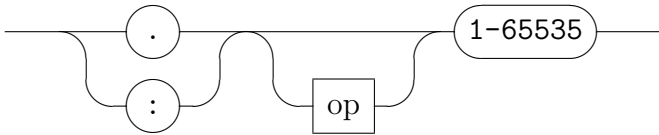


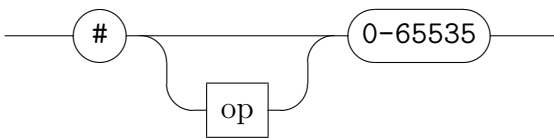
*op*



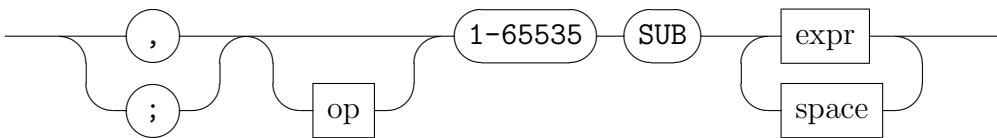
*variable*



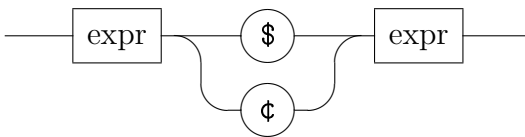
*constant*



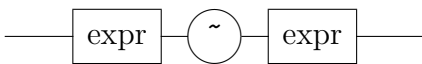
*array*



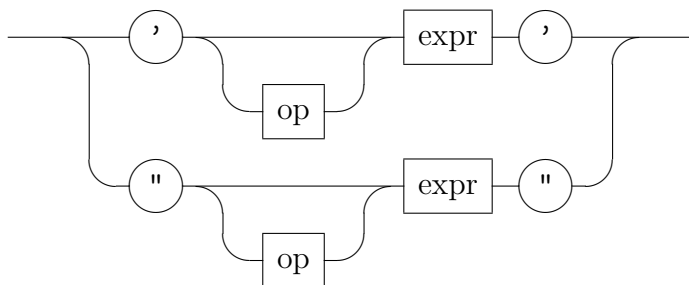
*interleave*



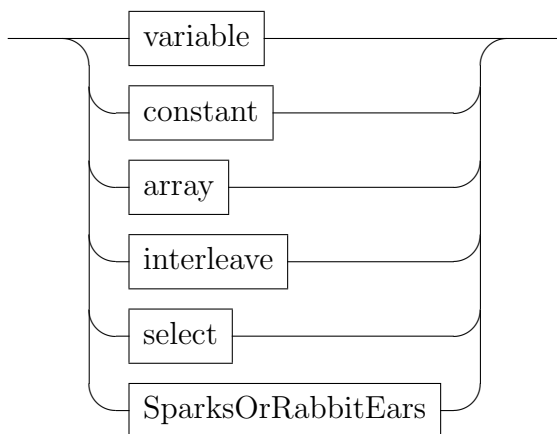
*select*



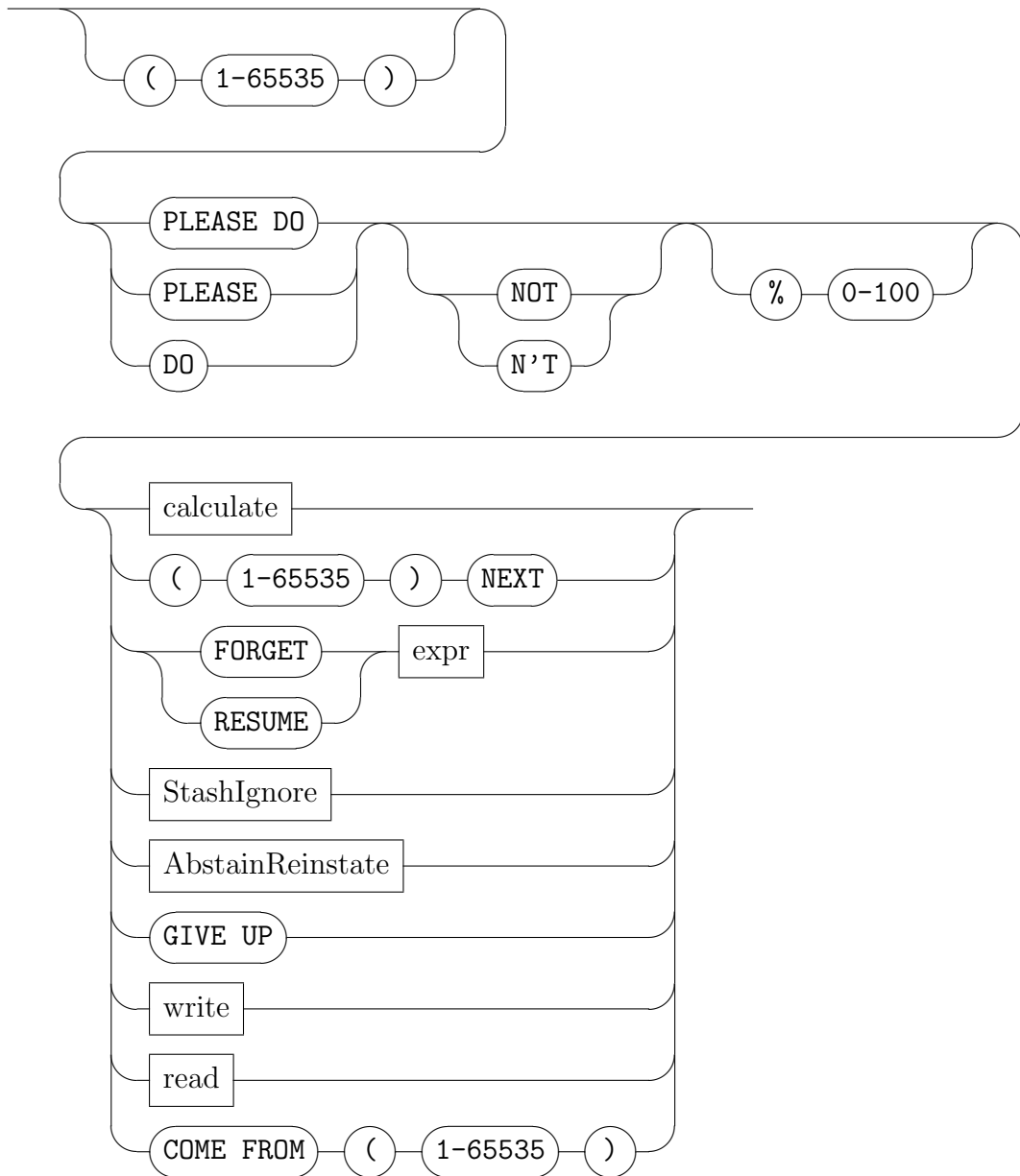
*SparksOrRabbitEars*



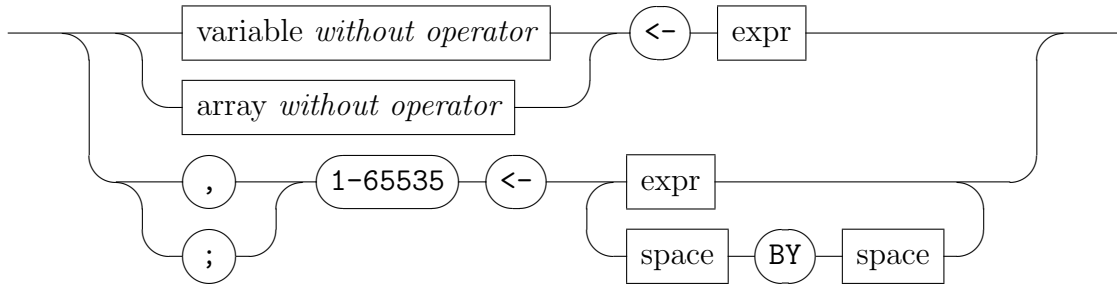
*expr*



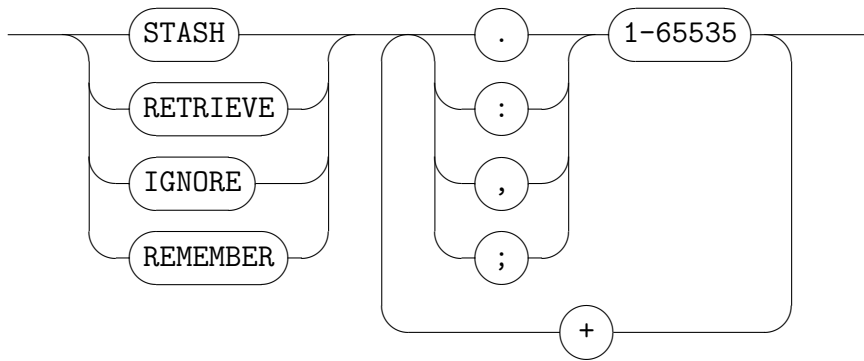
*statement*



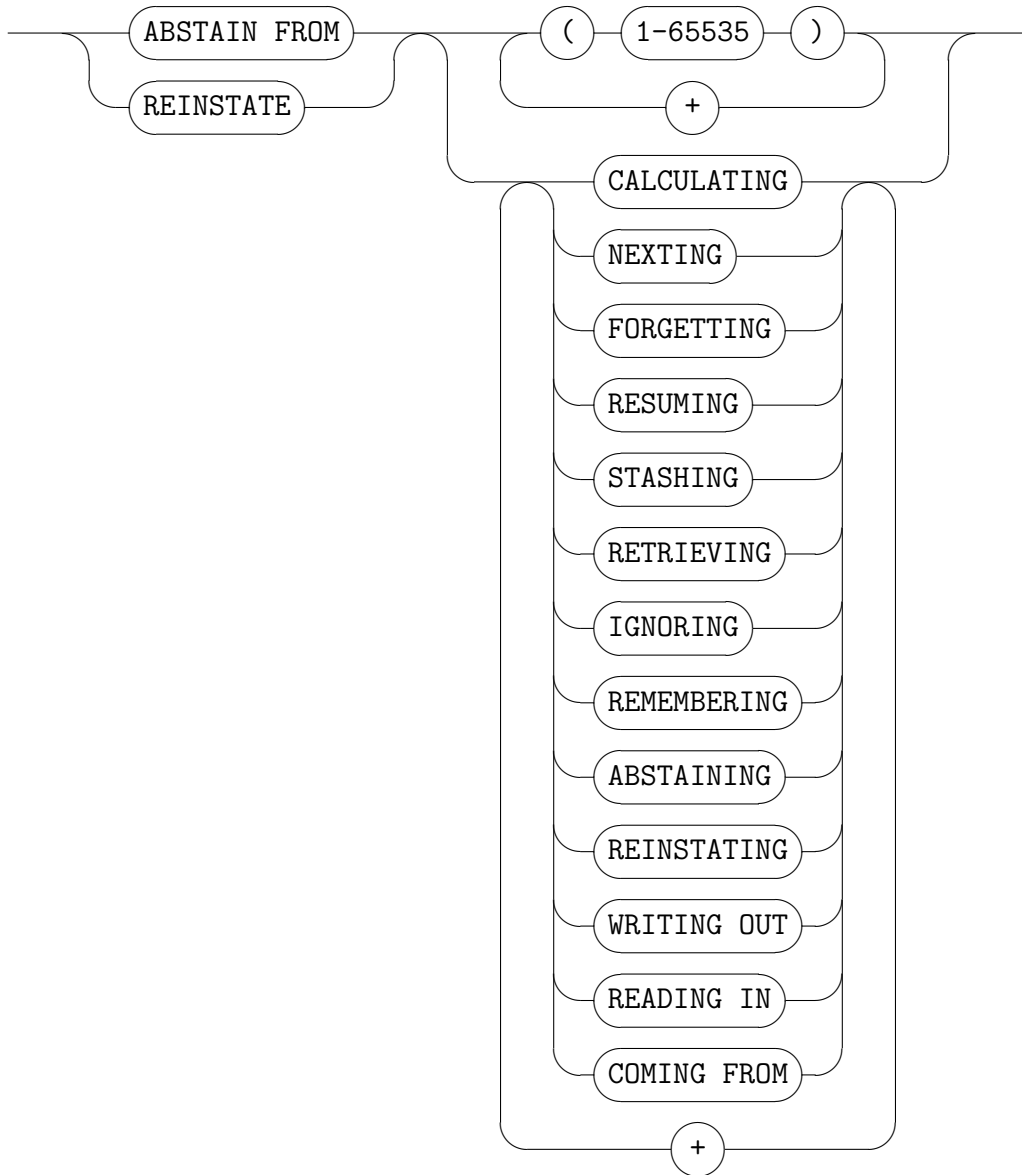
*calculate*



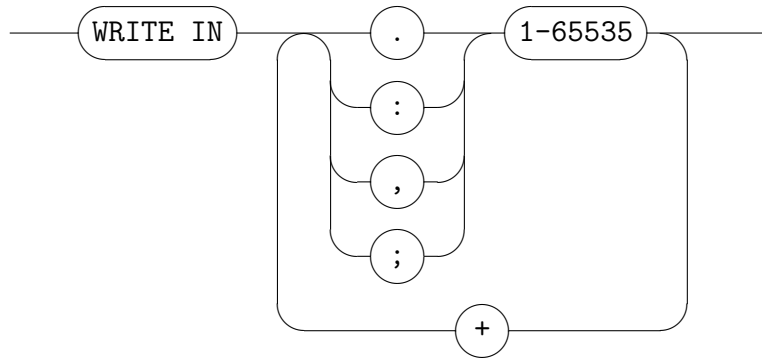
*StashIgnore*



*AbstainReinstate*



*write*



*read*

